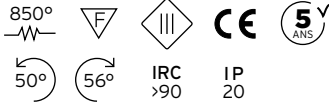


THALYA/R



INDOOR LINEAR LIGHTING RANGE ADJUSTABLE

The Thalya-R is the discreet and powerful Soka indoor linear lighting option, developed to cover a wide variety of uses.

Its small size facilitates integration and offers maximum discretion.

The product's mechanical design (side cable outlet) and its inward-positioned mounting system allow edge-to-edge lighting installation to achieve shadow-free wall-wash lighting.

Its diffuse brushstrokes offer a uniform curtain of light over any height.

Its wide variety of optics, ranging from the tightest to the widest beams, ensure remarkable flow and beam control.

For optimal visual comfort, an anti-glare grille or louvre can be integrated directly within the device to maintain the product's compact dimensions and refined appearance.

FEATURES

- Colour temperatures: 2700 K, 3000 K, 3500 K, 4000 K
- Beams from 10° upwards
- Supply voltage: 24 Vdc
- 4000 Lm for a length of 907 mm
- 60 W for a length of 907 mm
- 150-mm module equipped with six power LEDs (max eight/device)
- 3 MacAdam steps

OPTIONS

- Tunable white
- RGBW
- Other fixing brackets
- colour temperatures
- Other IRCs
- Other finishes (*custom RAL anodisation*)

ACCESSORIES

- Elliptical filters
- Honeycomb grille
- Louvre

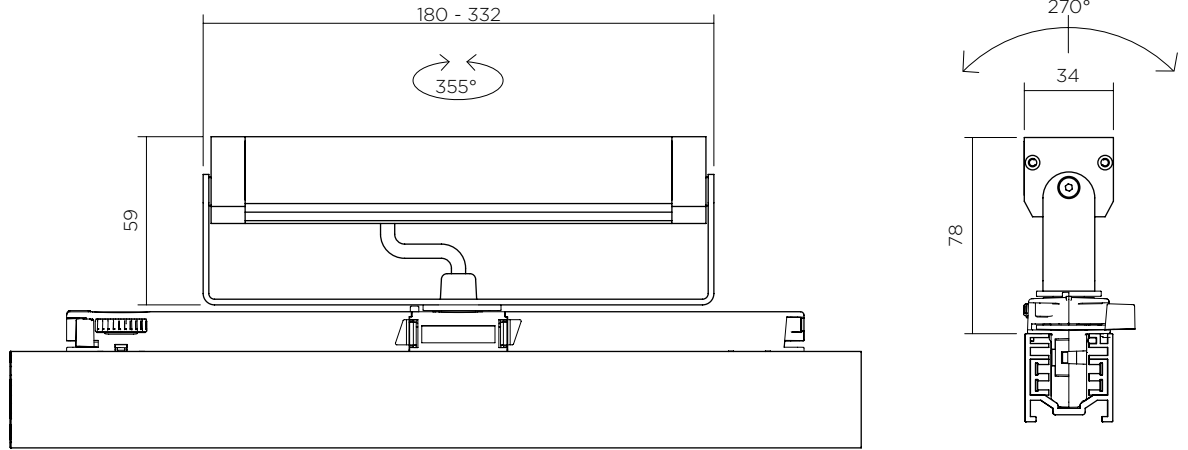
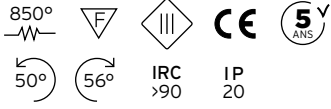
CONTROL *

- 0-10V
- DMX
- DALI
- Wireless

*According to driver choice



THALYA/R



POWER AND PHOTOMETRY

INDICATIVE DATA FOR LED 2700° K IRC90 FOR A 307-MM 12-LED THAYLA

LED type	Voltage current	Current	Power	Beams	Candelas in the axis	Lumens output
LED	24 Vdc	450 mA	21 W	10°	22 060 Cds	1 359 Lm

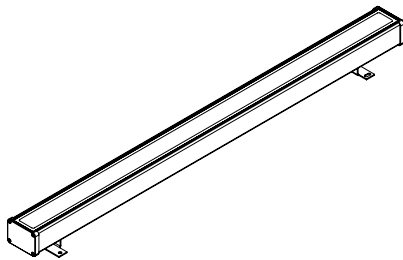


Connection to direct voltage power supply (to be ordered separately).

Devices must be connected to the driver before switching them on.
Failure to respect this requirement will damage the devices irreversibly.

*Data may change according to developments in LED technology

OTHER VERSION



JAROD
OUTDOOR LINEAR LIGHTING