

# JULIETTE



**0,98** IRC >90 IP 67 IK 10  
KG



ROMEO



JULIETTE

## OUTDOOR WALL LIGHT RANGE

This outdoor wall light, both attractive and efficient, combines a wide choice of optics and colour temperatures.

The JULIETTE can highlight the architectural elements of your facades, as well as your door and window frames, using an elliptical filter. Designed to illuminate both upwards and downwards, this wall lamp grants you total freedom in all your creations.

Machined in one piece using the best aluminium alloys, it benefits from marine-quality anodisation treatment. Its high-performance optics are protected from external aggressions and intrusions thanks to a polycarbonate screen, resistant to UV and any impacts. Highly robust, it can resist wear due to harsh conditions such as sea air, strong gusts of wind or extreme temperatures.

## FEATURES

- Zero condensation
- Anti-corrosion
- Screw allowing for adjustment of the elliptical beam
- Beams from 4°
- Colour temperatures: 2700° k, 3000° k, 3500° k, 4000° k
- Maximum LED power: up to 6W
- LEDs sorted on 2 MacAdam Ellipses
- Double point of light

## OPTIONS

- RGBW
- Tunable white
- Dim to warm,
- Other colour temperatures
- Other beams
- Other finishes (*anodising or powder-coated painting*)

## ACCESSORIES

- Elliptical filters
- Honeycomb grille

## CONTROL\*

- 0-10V
- DMX
- DALI
- Wireless

\*According to driver choice



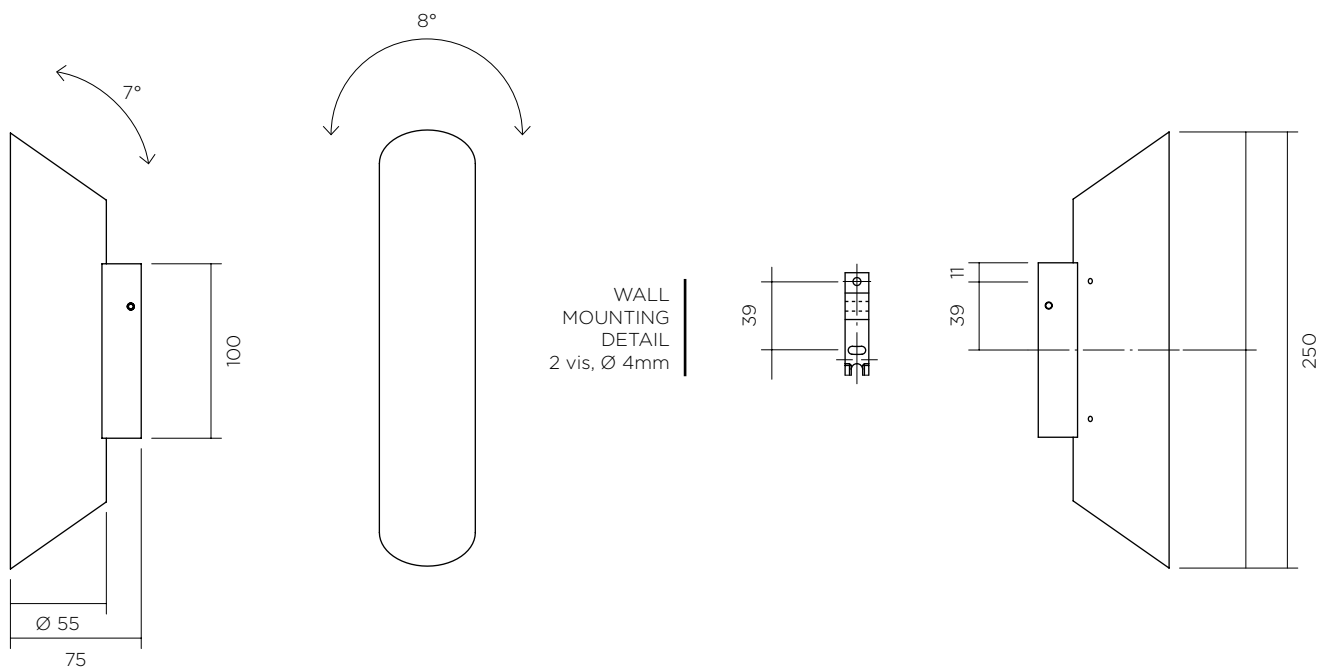
OPTION  
JULIETTE CUSTOM FINISH



# JULIETTE



**0,98** IRC >90 IP 67 IK 10  
KG



## POWER\* AND PHOTOMETRY

### INDICATIVE DATA FOR LED 3000° K

LED type	Voltage	Max direct current	Power	Beams	Candelas in the axis	Lumens output
LED 1	3 Vdc	900 mA	3 W	4°	28 105 Cds	214 Lms
				7°	8 214 Cds	198 Lms
				13°	3 101 Cds	196 Lms
				17°	984 Cds	184 Lms
				21°	631 Cds	149 Lms
				33°	390 Cds	159 Lms
				52°	286 Cds	193 Lms
LED 2	12 Vdc	500 mA	6 w	13°	7 490 Cds	490 Lms
				14°	5 621 Cds	441 Lms
				22°	1 949 Cds	423 Lms
				27°	1 456 Cds	439 Lms
				33°	881 Cds	391 Lms
				61°	521 Cds	488 Lms



**Connection to a direct current driver (to be ordered separately).**

Devices must be connected to the driver before switching them on.  
Failure to respect this requirement will damage the devices irreversibly.

\*Data may change according to developments in LED technology