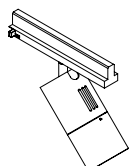
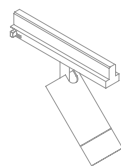
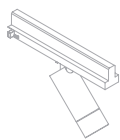


IOTA L/R230



90° 355° 1,1 KG IRC >90 IP 40 UGR <19



IOTA S/R²³⁰

IOTA M/R²³⁰

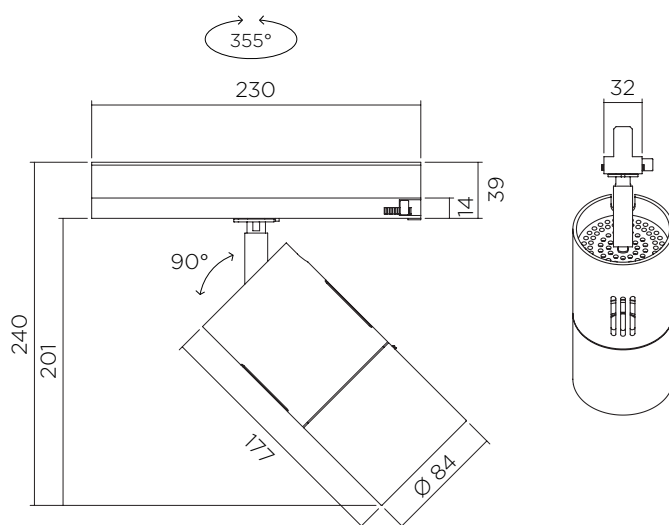
IOTA L/R²³⁰



INDOOR RANGE SPOTLIGHT BAR

With a light efficiency of up to 45,000 Candelas in the axis, this high-performance spotlight is our most powerful indoor light in the range.

With its silicone optics, the IOTA L provides perfect beam quality and optimised light output, while ensuring a UGR of less than 19 - guaranteeing visual comfort for all.



FEATURES

- Direct-current power supply via driver integrated into the adapter.
- Maximum LED power: up to 32W
- Optics: from 5° to 60°
- Colour temperatures: 2700° k, 3000° k, 3500° k, 4000° k
- Up to 45,000 Candelas in the axis
- 2 MacAdam steps

OPTIONS

- Tunable white
- Dim to warm,
- Other colour temperatures
- Other beams
- Other finishes (*custom RAL*)

ACCESSORIES

- Elliptical filters
- Honeycomb grille

PILOTAGE *

- DALI
- Wireless

*According to driver choice



ALTERNATIVE VERSION
IOTA L/P ON SCONCE

IOTA L/R230



POWER AND PHOTOMETRY

INDICATIVE DATA FOR LED 3000° K / CRI 90

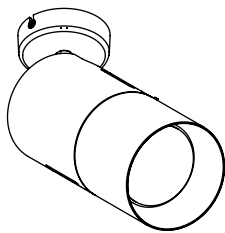
LED type	Voltage	Max direct current	Power	Beams	Candelas in the axis	Lumens output
LED 2	12 vdc	900 mA	11 W	6,5°	43 157 Cds	798 Lms
				11°	34 805 Cds	1 710 Lms
LED 3	35 vdc	600 mA	21 W	22°	9 725 Cds	1 611 Lms
				35°	4 193 Cds	1 487 Lms
LED 4	37 vdc	900 mA	33 W	16°	28 250 Cds	2 667 Lms
				22°	14 065 Cds	2 481 Lms
				34°	6 627 Cds	2 380 Lms



Connection on 230-VAC bar.

Devices must be connected to the driver before switching them on.
Failure to respect this requirement will damage the devices irreversibly.

OTHER VERSION



IOTA L/P
ON SCONCE