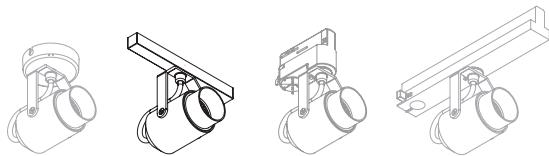


ETA / R48

850°  

90°  355°  **0,43** IRC >90 IP 20
KG



ETA/P ETA/R48 ETA/230V ETA/230V CC



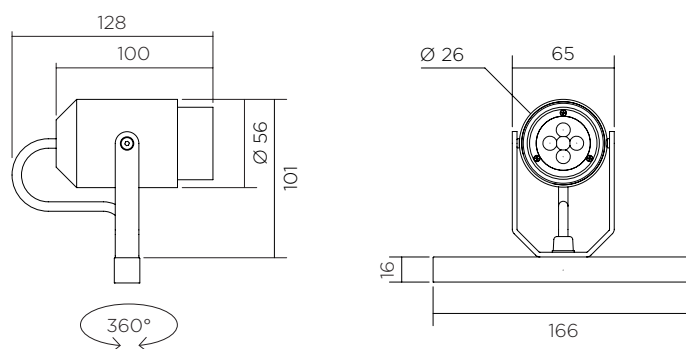
INDOOR RETROFIT RANGE

48-VDC SPOTLIGHT BAR

Particularly distinguished by its compactness and looks, this 48-V spotlight bar is economical and offers fantastic quality.

Perfect for retrofitting, the light can be easily swapped out thanks to the low-luminance screwed cylinder.

As discreet as it is efficient, this light is capable of accentuating even the most demanding of indoor projects.



FEATURES

- Bar supply voltage: 48 Vdc
- Colour temperatures: 2700° k, 3000° k, 4000° k
- LED retrofit lamp in GU 5.3
- Direct-current LED module

OPTIONS

- Other colour temperatures
- Other beams
- Other finishes (powder-coated painting)

ACCESSORIES

- Elliptical filters
- Honeycomb grille
- Cone/Cylinder or Cap

CONTROL *

- ON/OFF
- DALI
- Wireless

*According to driver choice



ALTERNATIVE VERSIONS ON SCENCE AND CUSTOM RAL

ETA/R48



POWER* AND PHOTOMETRY*

INDICATIVE DATA FOR LED 3000° K DIRECT CURRENT

LED type	Voltage	Max direct current	Power	Beams	Candelas in the axis	Lumens output
	35 Vdc	350 mA	12 W	19°	6 080 Cds	1 050 Lm
				23°	4 966 Cds	1 098 Lm
				35°	2 308 Cds	1,007 Lm

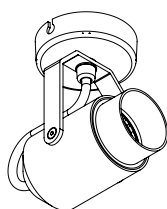
*Other photometries available depending on chosen source



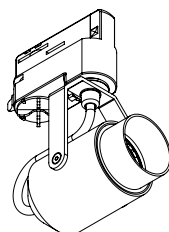
Connection to 48-VDC direct voltage power supply (to be ordered separately).

Devices must be connected to the driver before switching them on.
Failure to respect this requirement will damage the devices irreversibly.

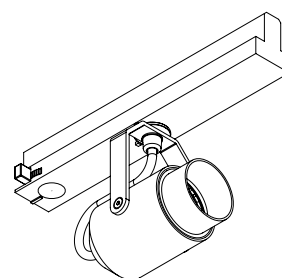
OTHER VERSIONS



ETA /P
ON SCONCE



ETA /R230
ON 230-V BAR



ETA /R230
ON 230-V-DC BAR