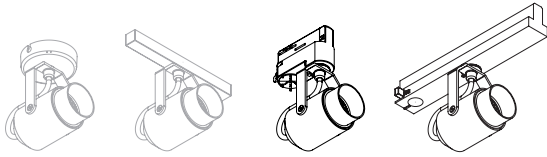


ETA / R230

850°  

90°  355°  **0,43** IRC >90 IP 20
KG



ETA/P ETA/R48 ETA/230V ETA/230V CC

INDOOR RETROFIT RANGE 230-VDC SPOTLIGHT BAR

Particularly distinguished by its compactness and looks, this 230-V spotlight bar is economical and offers fantastic quality. Perfect for retrofitting, the light can be easily swapped out thanks to the low-luminance screwed cylinder. As discreet as it is efficient, this light is capable of accentuating even the most demanding of indoor projects.

FEATURES

- Bar supply voltage: 230 Vdc
- Colour temperatures: 2700° k, 3000° k, 4000° k
- LED retrofit light in GZ10 or GU10 (230V)
- Direct-current LED module

OPTIONS

- Other colour temperatures
- Other beams
- Other finishes (powder-coated painting)

ACCESSORIES

- Elliptical filters
- Honeycomb grille
- Cone/Cylinder or Cap

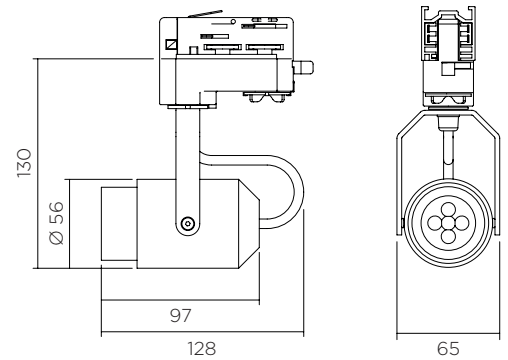
CONTROL *

- ON/OFF
- DALI
- Wireless

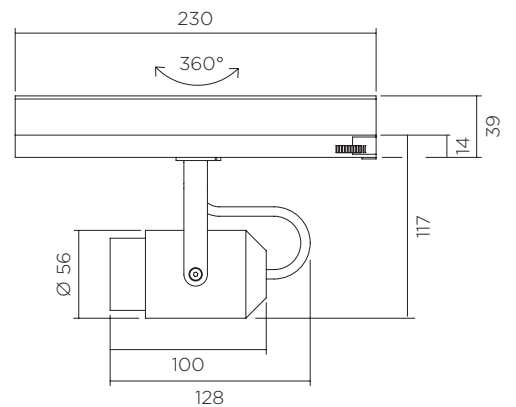
*According to driver choice



230 V direct



230 V direct with LED module
Direct current



ALTERNATIVE VERSIONS
ON SCENCE AND CUSTOM RAL

ETA/R230

850°
  **CE**
 90°  355°  **0,43** IRC IP
 KG >90 20



*Adapter integrating a direct-current driver

POWER AND PHOTOMETRY

INDICATIVE DATA FOR LED 3000° K

LED type	Voltage	Max direct current	Power	Beams	Candelas in the axis	Lumens output
	35 Vdc	350 mA	12 W	19°	6 080 Cds	1 050 Lm
				23°	4 966 Cds	1 098 Lm
				35°	2 308 Cds	1,007 Lm

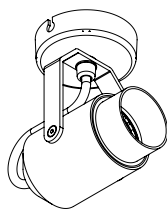
*Other photometries available depending on chosen source



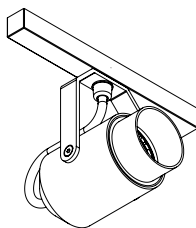
Direct connection to 230-VAC bar.

Devices must be connected to the driver before switching them on.
 Failure to respect this requirement will damage the devices irreversibly.

OTHER VERSIONS



ETA /P
ON SCENCE



ETA /R48
ON 48-V BAR