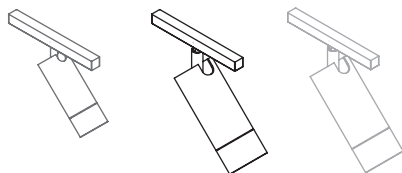


IOTA M/R⁴⁸



IOTA S/R⁴⁸ IOTA M/R⁴⁸ IOTA ARRA M/R⁴⁸

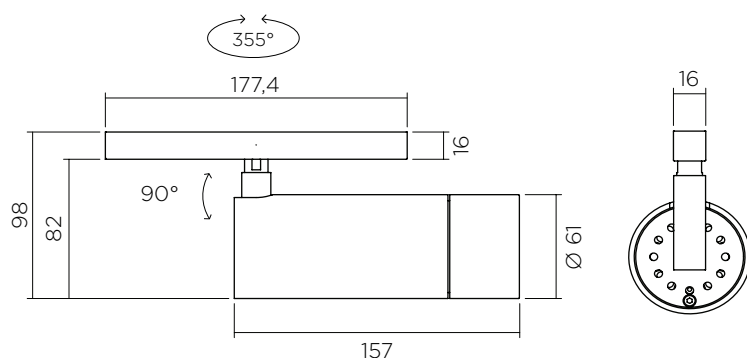


INDOOR 48-VDC RETROFIT SPOTLIGHT BAR

With a UGR of less than 19, this low-luminance projector diffuses particularly comfortable lighting. It is also particularly practical, with its screwed-in front panel making it possible to change LED source with ease.

Highly attractive, its clean and fine lines render this piece timeless.

The 48-VDC magnetic adapter – both simple and practical – disappears into the bar, making it almost invisible.



FEATURES

- Bar supply voltage: 48 Vdc
- Energy consumption: 12 W
- Optics: from 14° to 36°
- Colour temperatures: 2700° k, 3000° k, 4000° k
- Up to 1200 Lumens
- 3 MacAdam steps

OPTIONS

- Other colour temperatures
- Other beams
- Other finishes (custom RAL)

ACCESSORIES

- Elliptical filters
- Honeycomb grille

CONTROL*

- ON/OFF
- DALI
- Wireless

*According to driver choice



VERSION

IOTA M/R⁴⁸ ON STEM

IOTA M/R48

850°
   
 90° 355° **0.9** IRC IP UGR
 KG >90 40 <19



POWER* AND PHOTOMETRY*

INDICATIVE DATA FOR LED 3000° K

LED type	Voltage	Max direct current	Power	Beams	Candelas in the axis	Lumens output
LED 1	35 Vdc	350 mA	12 W	14°	9 815 Cds	1 197 Lms
				20°	5 589 Cds	1 277 Lms
				35°	3 001 Cds	1,278 Lms

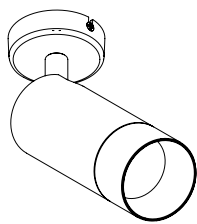
*Other photometries available depending on chosen source



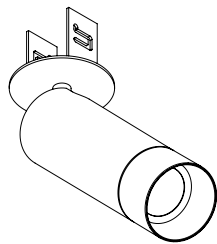
Connection to 48-VDC direct voltage power supply (to be ordered separately).

Devices must be connected to the driver before switching them on.
 Failure to respect this requirement will damage the devices irreversibly.
 *Data may change according to developments in LED technology.

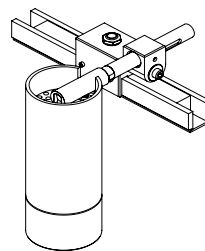
OTHER VERSIONS



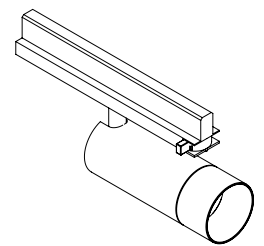
IOTA M/P
ON SCIONCE



IOTA M/P
ON FLAT SCIONCE



IOTA M/R
ON STEM



IOTA M/R
ON 230-V BAR